

# SS2000+ Encoder

## Features

- Streaming .wav files for voice, music and text-to-speech
- Ethernet for network-based control
- 20 remote activation inputs
- Compatible with two-tone EAS and DTMF, AFSK encoding
- 24 hot command function keys
- Communications diagnostics
- Built-in speaker and microphone jack
- Desk and 19" rack mount versions available



The SS2000+ is Federal Signal's most advanced stand-alone control unit yet. Monitor and control the unit over your network - the SS2000+ includes 20 inputs for remote activation. The remote activation inputs can mirror the front panel push buttons or be reprogrammed to provide 20 additional activation points. Stream .wav files from your PC for voice, music and text-to-speech. Control new and legacy systems using DTMF, EAS, two-tone and AFSK encoding. Program hotkeys for quick activation functions in various scenarios. The SS2000+ offers these capabilities in a simple, easy-to-use package for your desktop or 19" rack.

For the most advanced systems, the SS2000+ can be connected to a PC running Federal Signal's Commander software. Commander and the SS2000+ can work together to monitor and control your system, with the SS2000+ providing full redundancy in the event that your PC is offline. The SS2000+ can be configured using SSLOADER+, a simple Windows®-based program from Federal Signal.

# SS2000+ Encoder

## Specifications

### Electrical

Line Input	120VAC wall transformer power supply
Battery Input	11.5 - 20VDC (over voltage and reverse voltage protection)
Power Supply Input Voltage	12-30VDC (12VDC typical)
Input Current	300mA (Standby 700mA max.)
Distortion	< 3.0%
Ethernet	RJ-45 port, TCP/IP

### Environmental

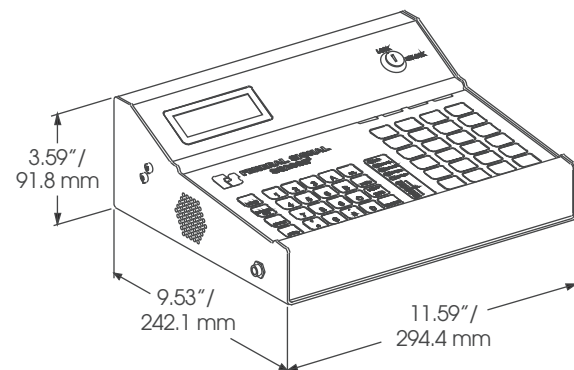
Operating Temperature:	0° to 60°C
------------------------	------------

### Encode/Decode Format

DTMF Format	3-20 standard DTMF characters
DTMF Timing	35/5 to 1000/1000 (digit duration/inter digit silence)
MSK	1200 BAUD MSK (Minimum Shift Key) digital format
Carrier Detect	Active High 4.5 - 14VDC Active Low 0 - 3.0VDC
VOX	-35 dbm to 0 dbm
Parallel Port	IBM® compatible printer port
Serial Port Protocol	RS232 9600 BAUD, N,8,1 (Xmodem Standard)

### Speaker

Power	1 Watt
Impedance	8 Ohms



### Microphone

Input Level	10mV - 150mV p-p
Input Impedance	10k Ohms
Input Jack	XLR Male
Type	Dynamic

### Audio Interface

Audio Output	Balanced 600 Ohms, -55 dbm to 0 dbm
Audio Input	Balanced 600 Ohms, -35 dbm to 0 dbm
Decode Sensitivity	< 8-10 dB(C) S/N or 12 dB(C) SINAD
Relay Outputs	2A at 30VDC 0.5 at 120VAC

### Select Model

SS2000+	Digital, DTMF encoder, desk mount
SS2000+R	Digital, DTMF encoder, 19" rack mount
SSP	Printer and cable
MNC-XLR	Gooseneck microphone and desk base

### Configuration Software

SSLOADER+ operating system Windows® 98, 2000, XP Compatible

### Shipping Weight

Desk Mount	6 lbs. (3 kg)
Rack Mount	8 lbs. (4 kg)

